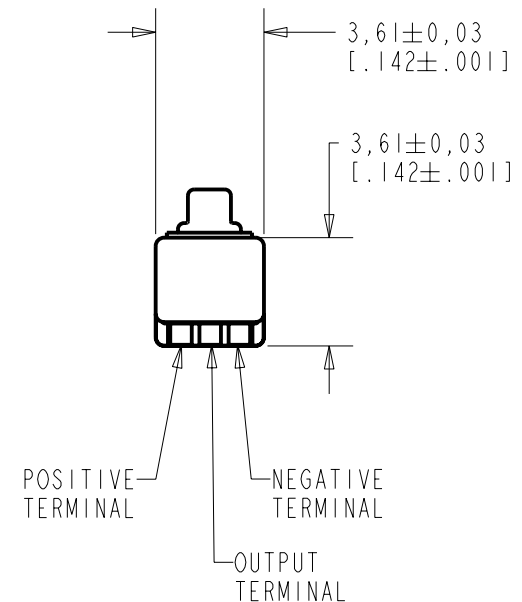
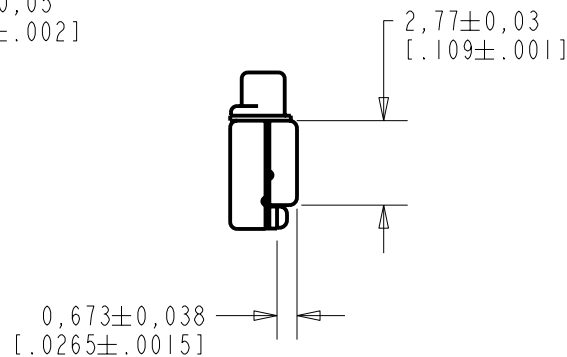
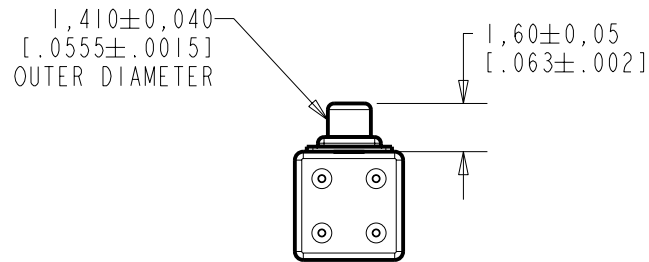
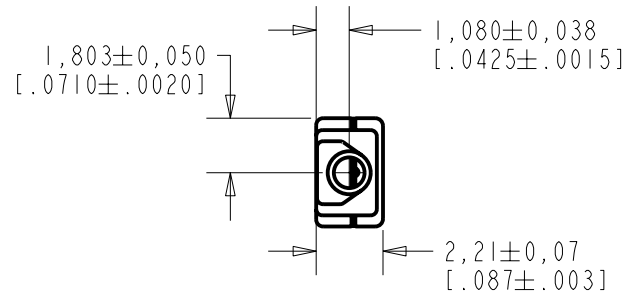


EM-24047-000

SHT 1.1



NOMINAL WEIGHT  
.08 GRAMS

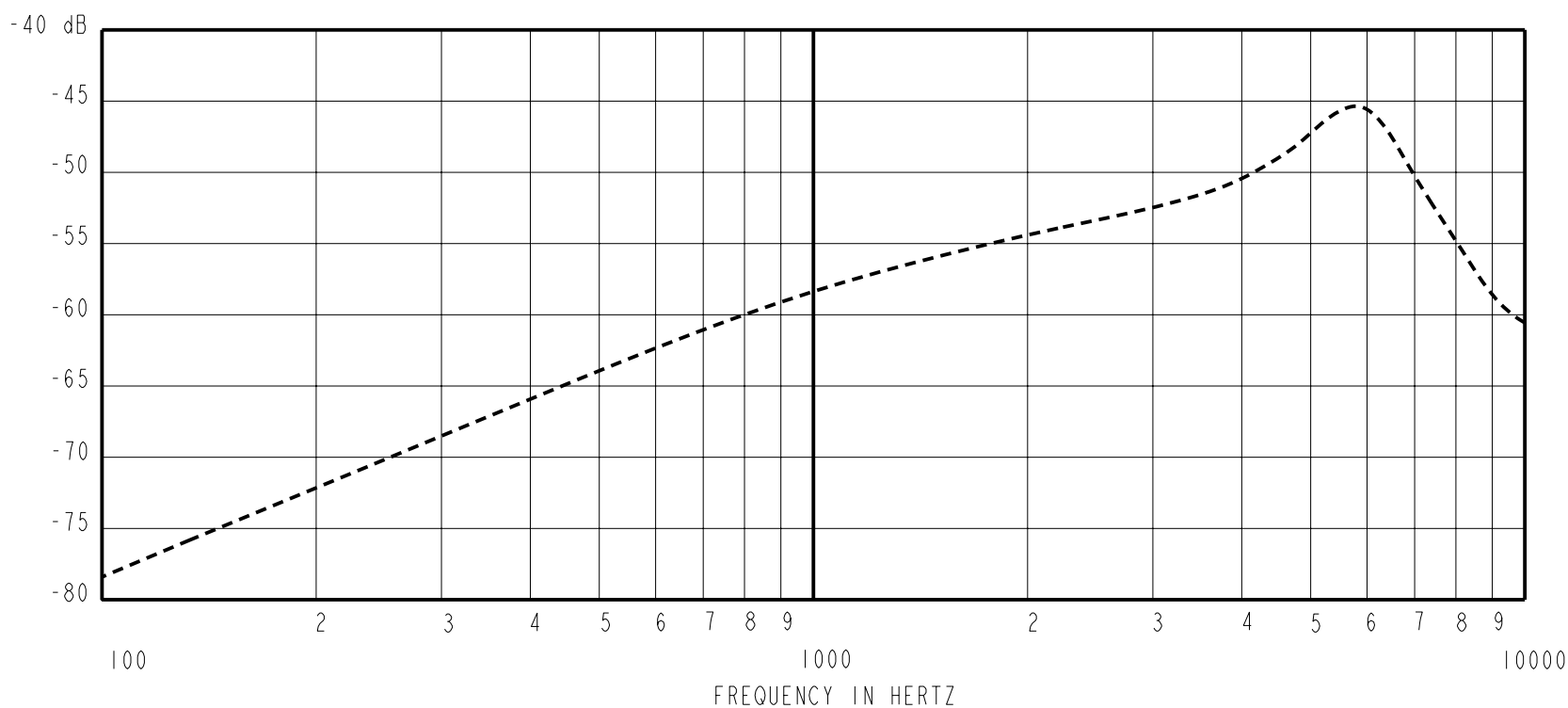
DIMENSIONS IN MILLIMETERS [INCHES]

Revision	C.O. #	Implementation Date	RELEASE LEVEL	REVISION
C	MI0101454	4-19-07	Released	C
B	MI0101341	12-19-06		
A	MI0101260	11-03-06		

SCALE: 4:1		DR. BY: LSY	DATE: 11-03-06
DO NOT SCALE DRAWING			
TITLE: MICROPHONE	EM-24047-000	GJP	11-9-06
OUTLINE DRAWING	SHT 1.1	APP. BY: GJP	DATE: 11-9-06

**KNOWLES ELECTRONICS**  
ITASCA, ILLINOIS U.S.A.

SENSITIVITY IN dB RELATIVE TO 1.0 VOLT/0.1 Pa (N/M<sup>2</sup>)  
FOR CONDITIONS SHOWN BELOW.



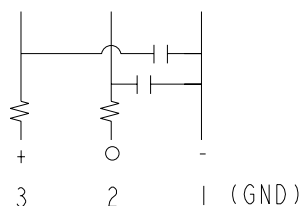
FREQUENCY	SENSITIVITY			DEVICE CONFORMITY	
	MIN.	NOM.	MAX.	RANGE OF DEVIATION FROM 1KHz	
300	---	-68.5	---	-11.5	-8.5
1000	-62.5	-58.5	-54.5	0.0	0.0
5800	---	-45.0	---	+8.0	+18.0

NOTES:

- CASE CONNECTED TO NEGATIVE TERMINAL.
- MICROPHONE TO BE FUNCTIONAL WITH 10 VDC SUPPLY.
- TYPICAL SENSITIVITY TO HUMIDITY AT 1000Hz IS 0.06 dB/%RH
- SENSITIVITY AND NOISE VALUES INDICATED ON THIS SPECIFICATION ARE VALID AT 50% HUMIDITY.
- CAPACITANCE MEASUREMENT MADE WITH BOONTON MODEL 7200 OR EQUIVALENT WITH APPLIED AC VOLTAGE OF 15 mVOLTS AT 1MHz AND 0 VDC. INCLUDES CIRCUIT CAPACITANCE IN PARALLEL WITH CAPACITOR.

PORT LOCATION	DC SUPPLY	AMPLIFIER CURRENT DRAIN	SENSITIVITY CHANGE ON REDUCING SUPPLY TO 0.9VDC	"A" WEIGHTED NOISE (1 kHz EQUIV. SPL)	OUTPUT IMPEDANCE OHMS			CAPACITANCE ±50%	
					MIN.	NOM.	MAX.	1-2	1-3
12B	1.3V	50 µA MAX.	3 dB MAX.	-97.0 dB MAX.	2800	4400	6800	75pF	75pF

CAPACITANCE PROBE POINTS



Revision	C.O. #	Implementation Date	RELEASE LEVEL	REVISION
C	M10101454	4-19-07	<b>Released</b>	<b>C</b>
B	M10101341	12-19-06		
A	M10101260	11-03-06		

**KNOWLES ELECTRONICS**  
ITASCA, ILLINOIS U.S.A.

WHEN TEST LIMITS ARE USED TO ESTABLISH INCOMING INSPECTION ACCEPTANCE/REJECTION CRITERIA, CORRELATION OF TEST EQUIPMENT WITH KNOWLES IS ALSO REQUIRED FOR ELIMINATION OF EQUIPMENT AND TEST METHOD VARIATION

TITLE: **MICROPHONE** **EM-24047-000**  
PERFORMANCE SPECIFICATION **SHT 2.1**

DR. BY	DATE
LSY	11-03-06
CK. BY	DATE
GJP	11-9-06
APP. BY	DATE
GJP	11-9-06